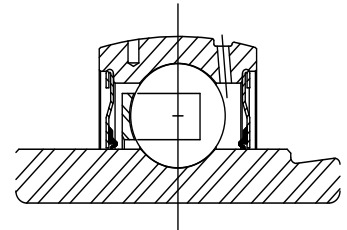
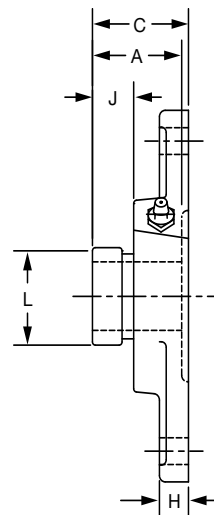
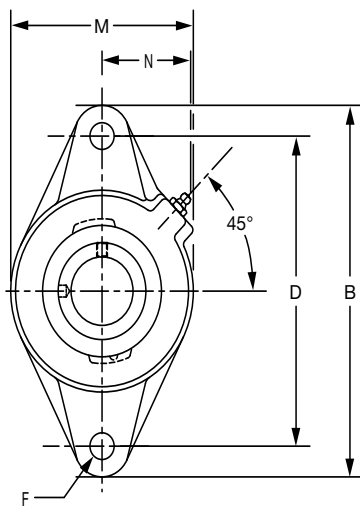




SELECTION/DIMENSIONS

Eccentric Collar Ball Bearings SXR NORMAL DUTY 2-BOLT FLANGE BEARINGS



| Series | Shaft Size | Standard | | No Lube/Sealed for Life (-NL) | | With Fingers | |
|--------|------------|---------------|--------------|-------------------------------|-----------------|---------------|-----------------|
| | | Part No. | Description | Part No. | Description | Part No. | Description |
| 203 | 1/2 | 131050 | F2B-SXR-008 | @ | F2B-SXR-008-NL | @ | F2B-SXR-008-FF |
| | 5/8 | 131052 | F2B-SXR-010 | 131079 | F2B-SXR-010-NL | @ | F2B-SXR-010-FF |
| | 17mm | 125677 | F2B-SXR-17M | @ | F2B-SXR-17M-NL | @ | F2B-SXR-17M-FF |
| 204 | 3/4 | 131054 | F2B-SXR-012 | @ | F2B-SXR-012-NL | @ | F2B-SXR-012-FF |
| | 20mm | 125678 | F2B-SXR-20M | @ | F2B-SXR-20M-NL | @ | F2B-SXR-20M-FF |
| 205 | 7/8 | 131056 | F2B-SXR-014 | @ | F2B-SXR-014-NL | @ | F2B-SXR-014-FF |
| | 15/16 | 131057 | F2B-SXR-015 | @ | F2B-SXR-015-NL | @ | F2B-SXR-015-FF |
| | 1 | 131058 | F2B-SXR-100 | @ | F2B-SXR-100-NL | 050951 | F2B-SXR-100-FF |
| | 25mm | 125679 | F2B-SXR-25M | @ | F2B-SXR-25M-NL | @ | F2B-SXR-25M-FF |
| 206 | 1-1/16 | 131059 | F2B-SXR-101 | @ | F2B-SXR-101-NL | @ | F2B-SXR-101-FF |
| | 1-1/8 | 131060 | F2B-SXR-102 | @ | F2B-SXR-102-NL | @ | F2B-SXR-102-FF |
| | 1-3/16 | 131061 | F2B-SXR-103 | 065635 | F2B-SXR-103-NL | 053617 | F2B-SXR-103-FF |
| | 1-1/4 | 049879 | F2B-SXR-104S | 068866 | F2B-SXR-104S-NL | @ | F2B-SXR-104S-FF |
| | 30mm | 125680 | F2B-SXR-30M | @ | F2B-SXR-30M-NL | @ | F2B-SXR-30M-FF |
| 207 | 1-1/4 | 131063 | F2B-SXR-104 | @ | F2B-SXR-104-NL | 130880 | F2B-SXR-104-FF |
| | 1-5/16 | 131064 | F2B-SXR-105 | @ | F2B-SXR-105-NL | @ | F2B-SXR-105-FF |
| | 1-3/8 | 131065 | F2B-SXR-106 | @ | F2B-SXR-106-NL | 068213 | F2B-SXR-106-FF |
| | 1-7/16 | 131066 | F2B-SXR-107 | 050839 | F2B-SXR-107-NL | 053326 | F2B-SXR-107-FF |
| | 35mm | 125681 | F2B-SXR-35M | @ | F2B-SXR-35M-NL | @ | F2B-SXR-35M-FF |
| 208 | 1-1/2 | 131067 | F2B-SXR-108 | @ | F2B-SXR-108-NL | 068214 | F2B-SXR-108-FF |
| | 40mm | 125682 | F2B-SXR-40M | @ | F2B-SXR-40M-NL | @ | F2B-SXR-40M-FF |
| 209 | 1-5/8 | 131070 | F2B-SXR-110 | @ | F2B-SXR-110-NL | @ | F2B-SXR-110-FF |
| | 1-11/16 | 131071 | F2B-SXR-111 | 052729 | F2B-SXR-111-NL | @ | F2B-SXR-111-FF |
| | 1-3/4 | 131072 | F2B-SXR-112 | @ | F2B-SXR-112-NL | 068215 | F2B-SXR-112-FF |
| | 45mm | 125683 | F2B-SXR-45M | @ | F2B-SXR-45M-NL | @ | F2B-SXR-45M-FF |
| 210 | 1-15/16 | 131075 | F2B-SXR-115 | 056784 | F2B-SXR-115-NL | @ | F2B-SXR-115-FF |
| | 2 | 131077 | F2B-SXR-200 | @ | F2B-SXR-200-NL | @ | F2B-SXR-200-FF |
| | 50mm | 125684 | F2B-SXR-50M | @ | F2B-SXR-50M-NL | @ | F2B-SXR-50M-FF |
| 211 | 2 | @ | F2B-SXR-200L | @ | F2B-SXR-200L-NL | @ | F2B-SXR-200L-FF |
| | 2-3/16 | 131074 | F2B-SXR-203 | @ | F2B-SXR-203-NL | 068216 | F2B-SXR-203-FF |
| | 55mm | 056862 | F2B-SXR-55M | @ | F2B-SXR-55M-NL | @ | F2B-SXR-55M-FF |

@ Assembled to order

| | | | |
|--------------------------------|--|-----------------------------|---------------------------|
| FEATURES/BENEFITS PAGE B7-3 | HOW TO ORDER/NOMENCLATURE PAGE B7-7 | EASY SELECTION PAGE B7-8 | ACCESSORIES PAGE B7-44 |
|--------------------------------|--|-----------------------------|---------------------------|

Eccentric Collar Ball Bearings
Setscrew VSC Ball Bearing
Eccentric SXV Collar Ball Bearing
Take-Up Frames
Engineering
Part Number Index
Keyword Index

SELECTION/DIMENSIONS



Eccentric Collar Ball Bearings SXR NORMAL DUTY 2-BOLT FLANGE BEARINGS

Eccentric Collar Ball Bearing

Setscrew VSC Ball Bearing

Eccentric SXV Collar Ball Bearing

Take-Up Frames

Engineering

Part Number Index

Keyword Index

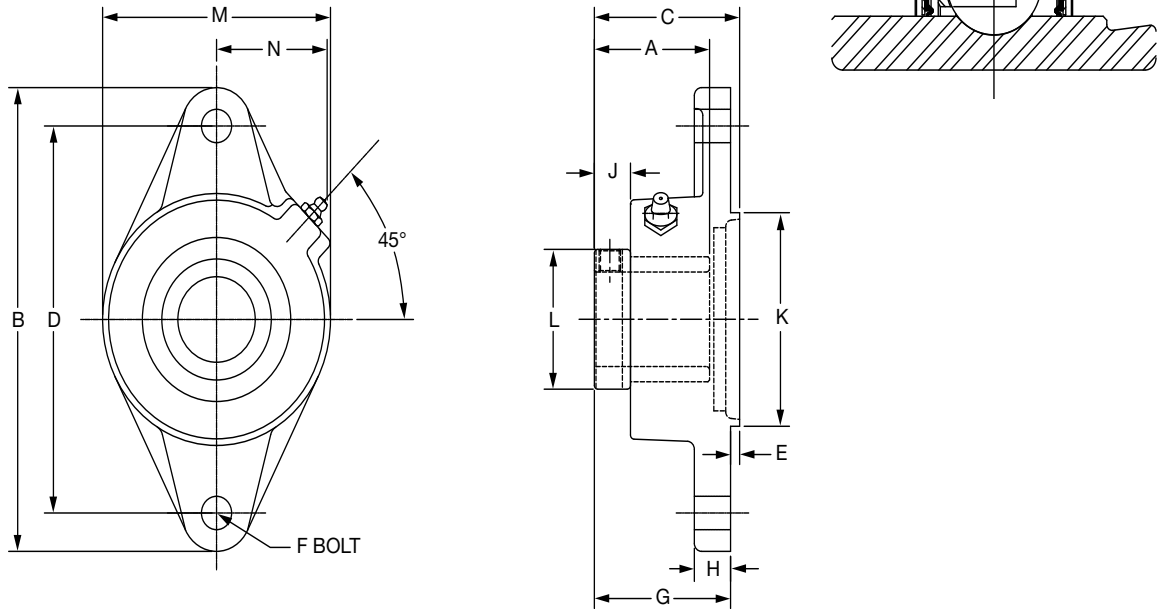
| Series | Shaft Size | Weight lbs kg | A | B | C | D | F Bolt Dia. | H | J | L | M | N |
|--------|------------|---------------------|------|-------|------|-------|-------------------|------|------|------|-------|------|
| 203 | 1/2 | 0.9 | 1.47 | 3.88 | 1.45 | 3.00 | 3/8 | 0.38 | 0.61 | 1.13 | 2.13 | 1.13 |
| | 5/8 | 0.8 | | | | | | | | | | |
| | 17mm | 0.4 | 37.3 | 98.6 | 36.8 | 76.2 | M10 | 9.7 | 15.5 | 28.7 | 54.1 | 28.7 |
| 204 | 3/4 | 1.2 | 1.55 | 4.41 | 1.66 | 3.53 | 3/8 | 0.50 | 0.68 | 1.31 | 2.38 | 1.50 |
| | 20mm | 0.5 | 39.4 | 112.0 | 42.2 | 89.7 | M10 | 12.7 | 17.3 | 33.3 | 60.5 | 38.1 |
| 205 | 7/8 | 1.7 | 1.62 | 4.88 | 1.65 | 3.89 | 7/16 | 0.52 | 0.70 | 1.50 | 2.75 | 1.44 |
| | 15/16 | 1.6 | | | | | | | | | | |
| | 1 | 1.5 | | | | | | | | | | |
| 206 | 25mm | 0.7 | 41.1 | 124.0 | 41.9 | 98.8 | M10 | 13.2 | 17.8 | 38.1 | 69.9 | 36.6 |
| | 1-1/16 | 2.4 | 1.77 | 5.56 | 1.81 | 4.59 | 7/16 | 0.50 | 0.74 | 1.75 | 3.13 | 1.56 |
| | 1-1/8 | 2.3 | | | | | | | | | | |
| | 1-3/16 | 2.2 | | | | | | | | | | |
| | 1-1/4 | 2.1 | | | | | | | | | | |
| 207 | 30mm | 1.0 | 45.0 | 141.2 | 46.0 | 116.7 | M10 | 12.7 | 18.8 | 44.5 | 79.5 | 39.6 |
| | 1-1/4 | 3.6 | 1.95 | 6.13 | 1.99 | 5.12 | 1/2 | 0.56 | 0.77 | 2.13 | 3.75 | 1.84 |
| | 1-5/16 | 3.5 | | | | | | | | | | |
| | 1-3/8 | 3.4 | | | | | | | | | | |
| | 1-7/16 | 3.3 | | | | | | | | | | |
| 208 | 35mm | 1.5 | 49.5 | 155.7 | 50.5 | 130.0 | M12 | 14.2 | 19.6 | 54.1 | 95.3 | 46.7 |
| | 1-1/2 | 4.3 | 2.12 | 6.75 | 2.15 | 5.66 | 1/2 | 0.56 | 0.81 | 2.38 | 4.13 | 1.83 |
| | 40mm | 1.9 | 53.8 | 171.5 | 54.6 | 143.8 | M12 | 14.2 | 20.6 | 60.5 | 104.9 | 46.5 |
| 209 | | | | | | | | | | | | |
| | 1-5/8 | 5.3 | 2.13 | 7.06 | 2.18 | 5.84 | 1/2 | 0.63 | 0.77 | 2.50 | 4.38 | 1.91 |
| | 1-11/16 | 5.1 | | | | | | | | | | |
| 210 | 1-3/4 | 4.9 | | | | | | | | | | |
| | 45mm | 2.2 | 54.1 | 179.3 | 55.4 | 148.3 | M14 | 16.0 | 19.6 | 63.5 | 111.3 | 48.5 |
| | | | | | | | | | | | | |
| 211 | 1-15/16 | 5.8 | 2.25 | 7.44 | 2.33 | 6.19 | 1/2 | 0.63 | 0.86 | 2.75 | 4.56 | 2.03 |
| | 2 | 5.6 | | | | | | | | | | |
| 211 | 50mm | 2.6 | 57.2 | 189.0 | 59.2 | 157.2 | M16 | 16.0 | 21.8 | 69.9 | 115.8 | 51.6 |
| | 2 | 7.8 | 2.59 | 8.63 | 2.65 | 7.25 | 5/8 | 0.67 | 1.05 | 3.00 | 5.25 | 2.27 |
| | 2-3/16 | 7.6 | | | | | | | | | | |
| | 55mm | 3.5 | 65.8 | 219.2 | 67.3 | 184.2 | M16 | 17.0 | 26.7 | 76.2 | 133.4 | 57.7 |

| | | | |
|--------------------------------|--|-----------------------------|---------------------------|
| FEATURES/BENEFITS PAGE B7-3 | HOW TO ORDER/NOMENCLATURE PAGE B7-7 | EASY SELECTION PAGE B7-8 | ACCESSORIES PAGE B7-44 |
|--------------------------------|--|-----------------------------|---------------------------|



SELECTION/DIMENSIONS

Eccentric Collar Ball Bearings SXR NORMAL DUTY 2-BOLT PILOTED FLANGE BEARINGS



| Series | Shaft Size | Part No. | Description |
|--------|------------|---------------|---------------|
| 204 | 3/4 | @ | F2BZ-SXR-012 |
| | 20mm | 130831 | F2BZ-SXR-20M |
| 205 | 7/8 | @ | F2BZ-SXR-014 |
| | 15/16 | @ | F2BZ-SXR-015 |
| | 1 | 064289 | F2BZ-SXR-100 |
| | 25mm | 130832 | F2BZ-SXR-25M |
| 206 | 1-1/8 | @ | F2BZ-SXR-102 |
| | 1-3/16 | @ | F2BZ-SXR-103 |
| | 1-1/4 | @ | F2BZ-SXR-104S |
| | 30mm | 130833 | F2BZ-SXR-30M |
| 207 | 1-1/4 | @ | F2BZ-SXR-104 |
| | 1-3/8 | @ | F2BZ-SXR-106 |
| | 1-7/16 | @ | F2BZ-SXR-107 |
| | 35mm | 130834 | F2BZ-SXR-35M |
| 208 | 1-1/2 | 068901 | F2BZ-SXR-108 |
| | 40mm | 130835 | F2BZ-SXR-40M |
| 209 | 1-5/8 | @ | F2BZ-SXR-110L |
| | 1-11/16 | @ | F2BZ-SXR-111 |
| | 1-3/4 | @ | F2BZ-SXR-112 |
| | 45mm | 130836 | F2BZ-SXR-45M |
| 210 | 1-15/16 | @ | F2BZ-SXR-115 |
| | 2 | @ | F2BZ-SXR-200 |
| | 50mm | 130837 | F2BZ-SXR-50M |

@ Assembled to order

FEATURES/BENEFITS
PAGE B7-3

HOW TO ORDER/NOMENCLATURE
PAGE B7-7

EASY SELECTION
PAGE B7-8

ACCESSORIES
PAGE B7-44

Eccentric Collar Ball Bearings
Setscrew VSC Ball Bearing
Eccentric SXV Collar Ball Bearing
Take-Up Frames
Engineering
Part Number Index
Keyword Index

SELECTION/DIMENSIONS



Eccentric Collar Ball Bearings SXR NORMAL DUTY 2-BOLT PILOTED FLANGE BEARINGS

Eccentric Collar Ball Bearing

Setscrew VSC Ball Bearing

Eccentric SXV Collar Ball Bearing

Take-Up Frames

Engineering

Part Number Index

Keyword Index

| Series | Shaft Size | Weight lbs kg | A | B | C | D | E | F Bolt Dia. | G | H | J | K | L | M | N |
|--------|--------------------------|------------------|------|-------|------|-------|------|-------------|------|------|------|---------------|------|-------|------|
| 204 | 3/4 | 1.3 | 1.55 | 4.41 | 1.80 | 3.53 | 0.14 | 3/8 | 1.66 | 0.50 | 0.68 | 2.165/2.163 | 1.31 | 2.38 | 1.50 |
| | 20mm | 0.6 | 39.4 | 112.0 | 45.7 | 89.7 | 3.6 | M10 | 42.2 | 12.7 | 17.3 | 54.99/54.94 | 33.3 | 60.5 | 38.1 |
| 205 | 7/8 | 1.6 | 1.62 | 4.88 | 1.79 | 3.89 | 0.14 | 7/16 | 1.65 | 0.52 | 0.70 | 2.362/2.360 | 1.50 | 2.75 | 1.44 |
| | 15/16 1 25mm | 0.7 | 41.1 | 124.0 | 45.5 | 98.8 | 3.6 | M10 | 41.9 | 13.2 | 17.8 | 59.99/59.94 | 38.1 | 69.9 | 36.6 |
| 206 | 1-1/8 | 2.1 | 1.77 | 5.56 | 1.92 | 4.59 | 0.12 | 7/16 | 1.81 | 0.50 | 0.74 | 3.150/3.148 | 1.75 | 3.13 | 1.56 |
| | 1-3/16 1-1/4 30mm | 0.9 | 45.0 | 141.2 | 48.8 | 116.7 | 3.0 | M10 | 46.0 | 12.7 | 18.8 | 80.01/79.96 | 44.5 | 79.5 | 39.6 |
| 207 | 1-1/4 | 3.1 | 1.95 | 6.13 | 2.14 | 5.12 | 0.16 | 1/2 | 1.99 | 0.56 | 0.77 | 3.543/3.541 | 2.13 | 3.75 | 1.84 |
| | 1-3/8 1-7/16 35mm | 1.3 | 49.5 | 155.7 | 54.4 | 130.0 | 4.1 | M12 | 50.5 | 14.2 | 19.6 | 89.99/89.94 | 54.1 | 95.3 | 46.7 |
| 208 | 1-1/2 | 4.3 | 2.12 | 6.75 | 2.31 | 5.66 | 0.16 | 1/2 | 2.15 | 0.56 | 0.81 | 3.937/3.935 | 2.38 | 4.13 | 1.83 |
| | 40mm | 1.9 | 53.8 | 171.5 | 58.7 | 143.8 | 4.1 | M12 | 54.6 | 14.2 | 20.6 | 100.00/99.95 | 60.5 | 104.9 | 46.5 |
| 209 | 1-5/8 | 4.7 | 2.13 | 7.06 | 2.34 | 5.84 | 0.16 | 1/2 | 2.18 | 0.63 | 0.77 | 4.134/4.132 | 2.50 | 4.38 | 1.91 |
| | 1-11/16 1-3/4 45mm | 2.0 | 54.1 | 179.3 | 59.4 | 148.3 | 4.1 | M14 | 55.4 | 16.0 | 19.6 | 105.00/104.95 | 63.5 | 111.3 | 48.5 |
| 210 | 1-15/16 | 5.2 | 2.25 | 7.44 | 2.49 | 6.19 | 0.16 | 1/2 | 2.33 | 0.63 | 0.86 | 4.134/4.132 | 2.75 | 4.56 | 2.03 |
| | 2 50mm | 2.1 | 57.2 | 189.0 | 63.2 | 157.2 | 4.1 | M16 | 59.2 | 16.0 | 21.8 | 105.00/104.95 | 69.9 | 115.8 | 51.6 |

| | | | |
|--------------------------------|--|-----------------------------|---------------------------|
| FEATURES/BENEFITS PAGE B7-3 | HOW TO ORDER/NOMENCLATURE PAGE B7-7 | EASY SELECTION PAGE B7-8 | ACCESSORIES PAGE B7-44 |
|--------------------------------|--|-----------------------------|---------------------------|